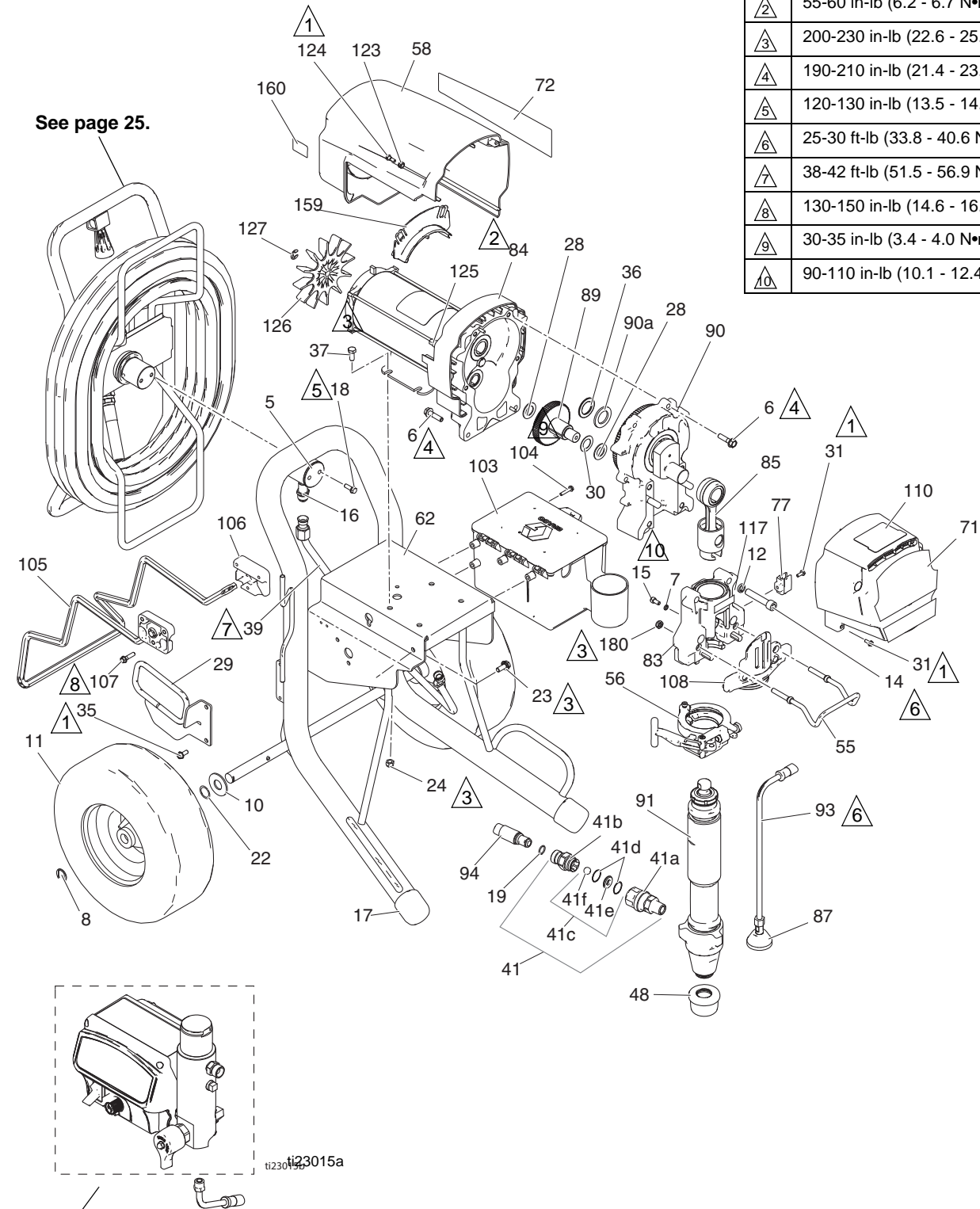


# Mark X ProContractor

Ref.	Torque
△1	40-45 in-lb (4.5 - 5.0 N•m)
△2	55-60 in-lb (6.2 - 6.7 N•m)
△3	200-230 in-lb (22.6 - 25.9 N•m)
△4	190-210 in-lb (21.4 - 23.7 N•m)
△5	120-130 in-lb (13.5 - 14.6 N•m)
△6	25-30 ft-lb (33.8 - 40.6 N•m)
△7	38-42 ft-lb (51.5 - 56.9 N•m)
△8	130-150 in-lb (14.6 - 16.9 N•m)
△9	30-35 in-lb (3.4 - 4.0 N•m)
△10	90-110 in-lb (10.1 - 12.4 N•m)



# Mark X ProContractor

Ref.	Part	Description	Qty.	Ref.	Part	Description	Qty.
5	16C975	PLATE, pivot	1	71	16X362	LABEL, front	1
6	15C753	SCREW, mach, hex wash hd	6	72	16X363	LABEL, right side	1
7	105510	WASHER, lock, spring	2	77	16X203	CLIP, drain line	1
8	15E891	CLIP, retaining	2	83	24V089	HOUSING, bearing; <i>includes 7, 12, 14, 15, 31, 55, 56, 77, 108, 117, 180</i>	1
10	156306	WASHER, flat	2	84	258909	MOTOR, electric; <i>includes 125, 126, 127</i>	1
11	119509	WHEEL, pneumatic	2	85	24V086	ROD, connecting	1
12	112600	WASHER, lock (hi-collar)	4	87	241920	DEFLECTOR, threaded	1
14	112599	SCREW, cap, socket head	4	89	288035	GEAR, combination; <i>includes 28, 30</i>	1
15	101550	SCREW, cap, sch	2	90	287990	HOUSING, drive; <i>includes 6, 36, 90a</i>	1
16	121311	FITTING, connector	1	90a	194173	WASHER, race, thrust	1
17	276974	CAP, leg	2	91	16X427	PUMP, displacement	1
18	260212	SCREW, hex washer, hd	2	93	244240	HOSE, drain; <i>includes 87</i>	1
19	102982	O-RING	1	94	24V029	KIT, hose, cpld, 1/2 in.; <i>includes 19</i>	1
22	116038	WASHER, wave spring	2	103	287253	TOOL BOX; <i>includes 104</i>	1
23	117791	SCREW, cap, tri lobe	2	104	118852	SCREW, thd forming, hex washer hd	3
24	111040	NUT, lock, insert	4	105	16X698	HANGER, stand, cart	1
28	114672	WASHER, thrust	2	106	15C982	CAM, cart	2
29	24M197	GUIDE, hose, ultra platinum	1	107	114531	SCREW, mach, hex washer hd	4
30	114699	WASHER, thrust	1	108	16X209	PLATE, front, PCII, 79W	1
31	118444	SCREW, mach, slot hex wash hd	5	110	16X981	LABEL, ProContractor Series	1
35	117633	SCREW, slot hex wash hd	2	117	187437	LABEL, torque	1
36	116192	WASHER, thrust, 1595	1	123	276980	GROMMET, cover	2
37	100057	SCREW, cap, hex hd	4	124	119250	SCREW, shoulder	3
39	16M441	TUBE, formed, ultra, platinum	1	125	15G845	SPACER, standoff	2
41	24U755	FITTING	1	126	15V577	FAN, motor	1
41a	16N461	HOUSING, seat, check valve	1	127	122347	RING, retaining	1
41b	16X837	HOUSING, ball, check valve	1	128▲	222385	TAG, warning (not shown)	
41c	24M725	KIT, repair, check valve; <i>includes 41d, 41e, 41f</i>	1	159	278075	BRACKET, wire	1
41d		O-RING	1	160	15Y118	LABEL, Made in the USA	1
41e		SEAT	1	180	112746	NUT, lock, thin pattern	2
41f		BALL	1				
48	189920	STRAINER, (1-11 1/2 npsm)	1				
51	24V025	COVER, drive, plastic, painted; <i>includes 31</i>	1				
55	16C457	PACKING, o-ring	1				
56	16X324	CLAMP, pump, large	1				
58	287282	SHIELD, motor, painted; <i>includes 123, 124</i>	1				
62	24Y426	FRAME, platinum, 1095/MARK V	1				

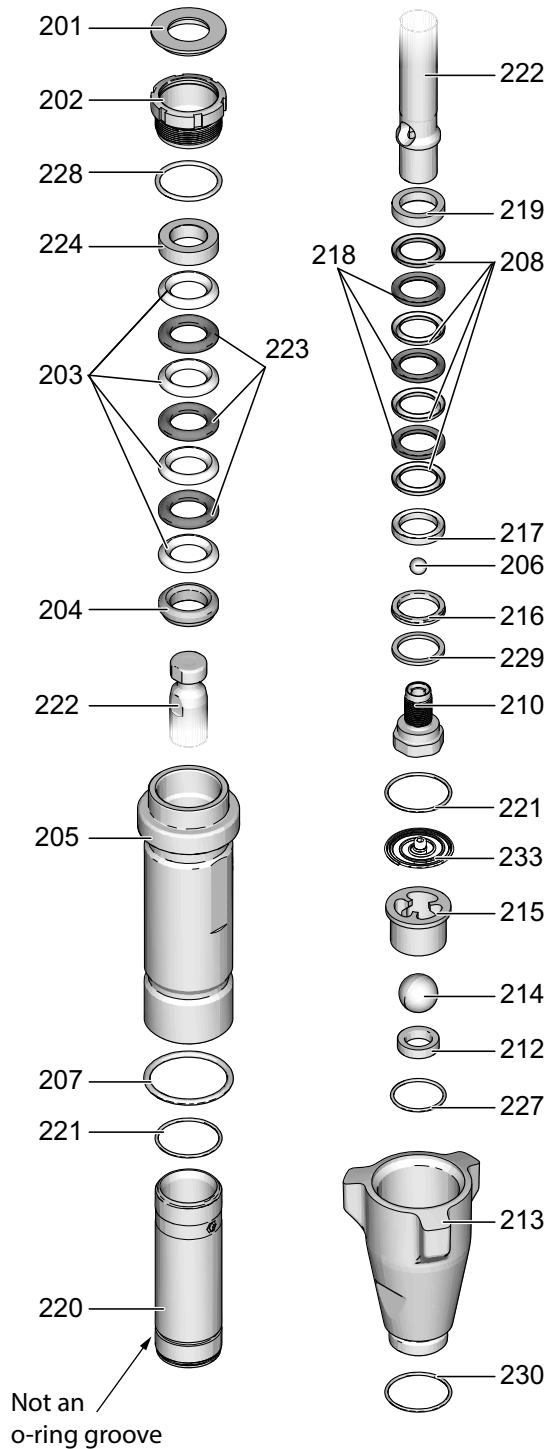
▲ Extra Danger and Warning tags and labels available free.

# Parts - Pump 16X426, 16X427

Ref.	Part	Description	Qty
201*	112590	SEAL, throat	1
202	16X768	NUT, packing	1
203*	193722	V-PACKING, throat, V-Max, UHMWPE, blue	4
204*	15G658	GLAND, male, throat	1
205	16X455 16X460	CYLINDER, pump Model 16X426 Model 16X427	1
206	107203*	BALL, check Model 16X426 (Stainless steel)	1
	118601*	Model 16X427 (Ceramic)	
207*	160325	PACKING, o-ring	1
208*	193722	V-PACKING, piston, V-MAX, UHMWPE, blue	4
210	249177	VALVE, piston	1
212	240918	KIT, seat, carbide Model 16X426 includes 214, 227 (stainless steel check ball)	1
	16X467	Model 16X426 includes 214, 227, 233 (ceramic check ball)	
	24N013	Model 16X427, includes 214, 227, 233	
213	15E655 15A303	VALVE, intake (foot) Model 16X426 Model 16X427	1
214	107167* 118602*	BALL, check, inlet Model 16X426 (Stainless steel) Model 16X427 (Ceramic)	1
215	198505 193391	GUIDE, ball Model 16X426 Model 16X427	1
216*	119636	WIPER, piston	1
217*	189588	GLAND, female, piston	1
218	15E639*	V-PACKING, leather, piston 16X426, 16X427	3
219*	189585	GLAND, male, piston	1
220	249121	SLEEVE, cylinder, MaxLife	1
221*	108822	O-RING, ptf	2
222	16X439 16X443	ROD, piston Model 16X426 Model 16X427	1
223*	112591	V-PACKING, leather, throat	3
224*	15G657	GLAND, female, throat	1
227*	107098	O-RING, ptf	1
228*	156593	O-RING	1
229*	15J800	WASHER, backup	1
230	118494	O-RING, fluoroelastomer (Model 16X426 only)	1
233	249770 24E027	SPRING, intake, ball Model 16X426 Model 16X427	1

\* These parts are also included in Repair Kit 249123 (stainless steel balls), which may be purchased separately.

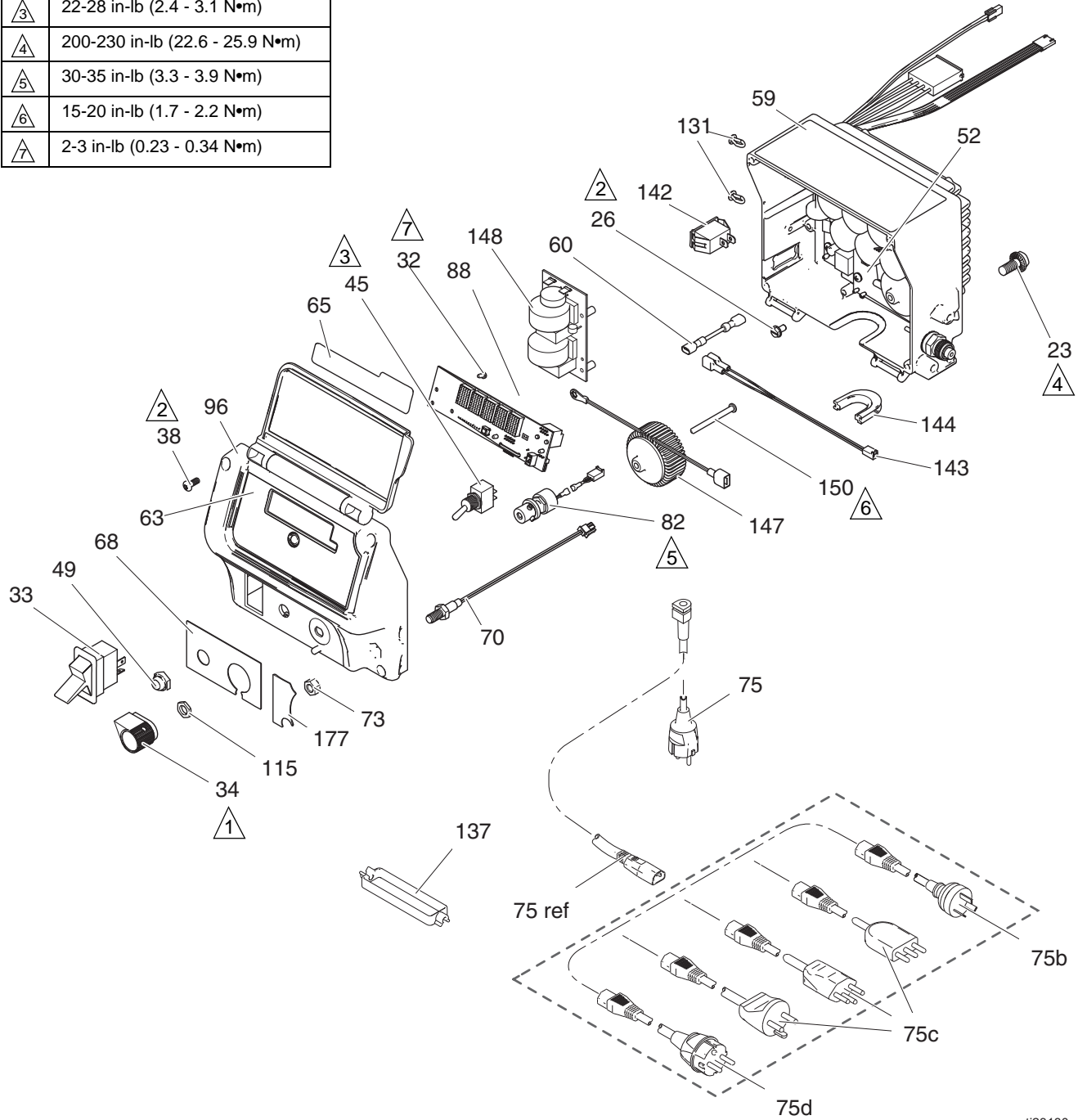
\* These parts are also included in Repair Kit 17A578 (ceramic balls), which may be purchased separately.



ti23507b

# Control Box

Ref.	Torque
	10-15 in-lb (1.1 - 1.7 N•m)
	40-45 in-lb (4.5 - 5.0 N•m)
	22-28 in-lb (2.4 - 3.1 N•m)
	200-230 in-lb (22.6 - 25.9 N•m)
	30-35 in-lb (3.3 - 3.9 N•m)
	15-20 in-lb (1.7 - 2.2 N•m)
	2-3 in-lb (0.23 - 0.34 N•m)



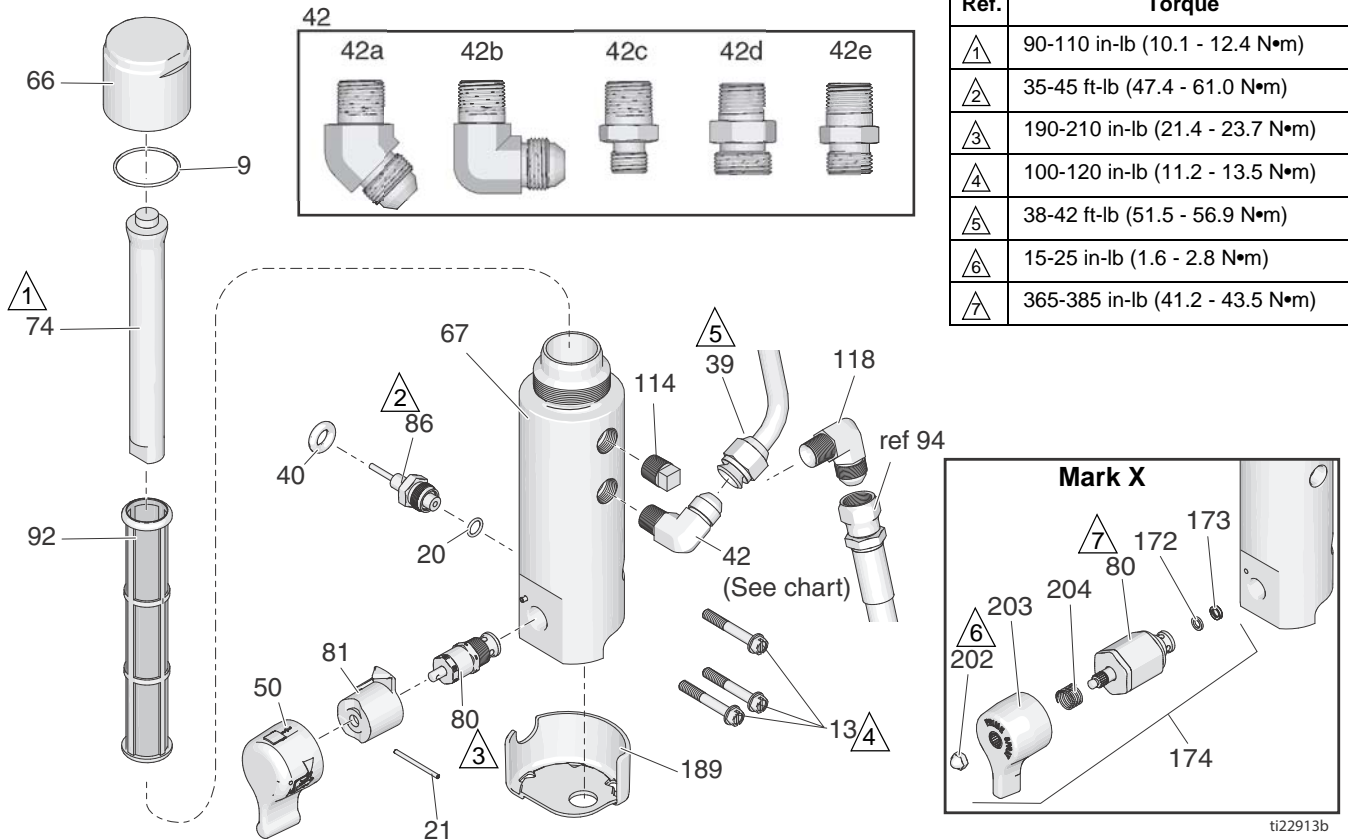
ti23180a

## Parts List

Ref.	Part	Description	Qty.	Ref.	Part	Description	Qty.
23	117791	SCREW, cap, flange head	2	75b		China/Australia	1
26	114391	SCREW, grounding	1	242005		695/795/1095/Mark IV/Mark V	
32	115522	SCREW, mach, pnh (ProContractor/IronMan series)	3	17A242		Mark X	
33	15C979	SWITCH, rocker, 120V	1	75c		Italy/Denmark/Switzerland	1
	15D527	SWITCH, rocker, 230V	1	287121		695/795/1095/Mark IV/Mark V	
34	116167	KNOB, potentiometer	1	253103		Mark VII/Mark X Models	
38	16V095	SCREW, #10, taptite phil	4	75d	242001	EU CEE 7/7	1
45	119541	SWITCH, toggle, (ProContractor/IronMan series)	1	75e	244285	Japan	1
49	195428	BOOT, toggle (ProContractor/IronMan series)	1	82	256219	POTENTIOMETR, assembly	1
52		CONTROL, board; <i>includes 23, 26, 60,</i> <i>131, 142, 144, box not sold separately</i>	1	88	16Y496	DISPLAY	1
	24P847	120V Models		96		COVER, control	1
	24P848	240V Models		24V061		ProContractor/IronMan series; <i>includes 32, 38, 63, 65, 68</i>	
59▲		LABEL, warning	1	24V062		Standard series; <i>includes 38, 63, 68</i>	
	16G596	Europe		115	15C973	GASKET	1
	16Y762	Asia/ANZ		131		SCREW/PLUG	2
	16Y761	Japan			119228	Eurpoe/Asia/Australia	
60	16T541	JUMPER WIRE (Japanese models)	1		16T482	Japan	
63	16X796	LABEL, LCD, GMAX (ProContractor/IronMan series)	1	137		RETAINER, plug adapter	
	16Y785	LABEL, control box cover, ultra (Standard series)	1	195551		695/795/1095/Mark IV/Mark V	
65	16X797	LABEL, control box cover, ultra (ProContractor/IronMan series)	1	121249		Mark VII/Mark X Models	
68	16Y789	LABEL, control (ProContractor/IronMan series)	1	142		SWITCH/PLUG	1
	16Y786	LABEL, control (Standard series)	1	16T483		695/795/1095/Mark IV/Mark V	
70	122507	SWITCH, reed (ProContractor/IronMan series)	1	126029		Mark VII/Mark X Models (10/16 amp)	
	16Z019	LIGHT, ProGuard (Standard series)	1	120059		UK Mark V (15/20 amp)	
73	100187	NUT	1	143	15G935	CONNECTOR, electrical	1
75		CORD, power	1	144		STRAIN RELIEF	1
	17J160	695/795/1095, Japanese Models			16T546	695/795/1095/Mark IV/Mark V	
	15H065	Mark V, Japanese Models			16T547	695/795/1095 Japanese Models	
	15D528	EU CEE 7/7			16T544	Mark VII/Mark X Models	
	15D529	EU Multicord			116171	Mark V, Japanese Models	
	15D530	UK		145	117745	BUSHING, strain relief (Mark VII/Mark X Models)	1
	16M834	Mark VII EU CEE 7/7		147	24V030	KIT, repair, coil; <i>includes 150</i>	1
	16M836	Mark VII Multicord		148		BOARD, filter	1
	15G957	Mark X EU CEE 7/7			24R598	230V Models	
	15G938	Mark X Multicord			24R597	120V Models	
					24U823	Mark X	
				149	117625	NUT, locking	1
				150	16U215	SCREW, machine, flat head	1
				177	16Y791	LABEL, blank, elec, std (Standard)	1
					16Y790	ProContractor/IronMan	1
					16Y788	Mark X ProContractor	1

▲ Extra Danger and Warning tags and labels available free.

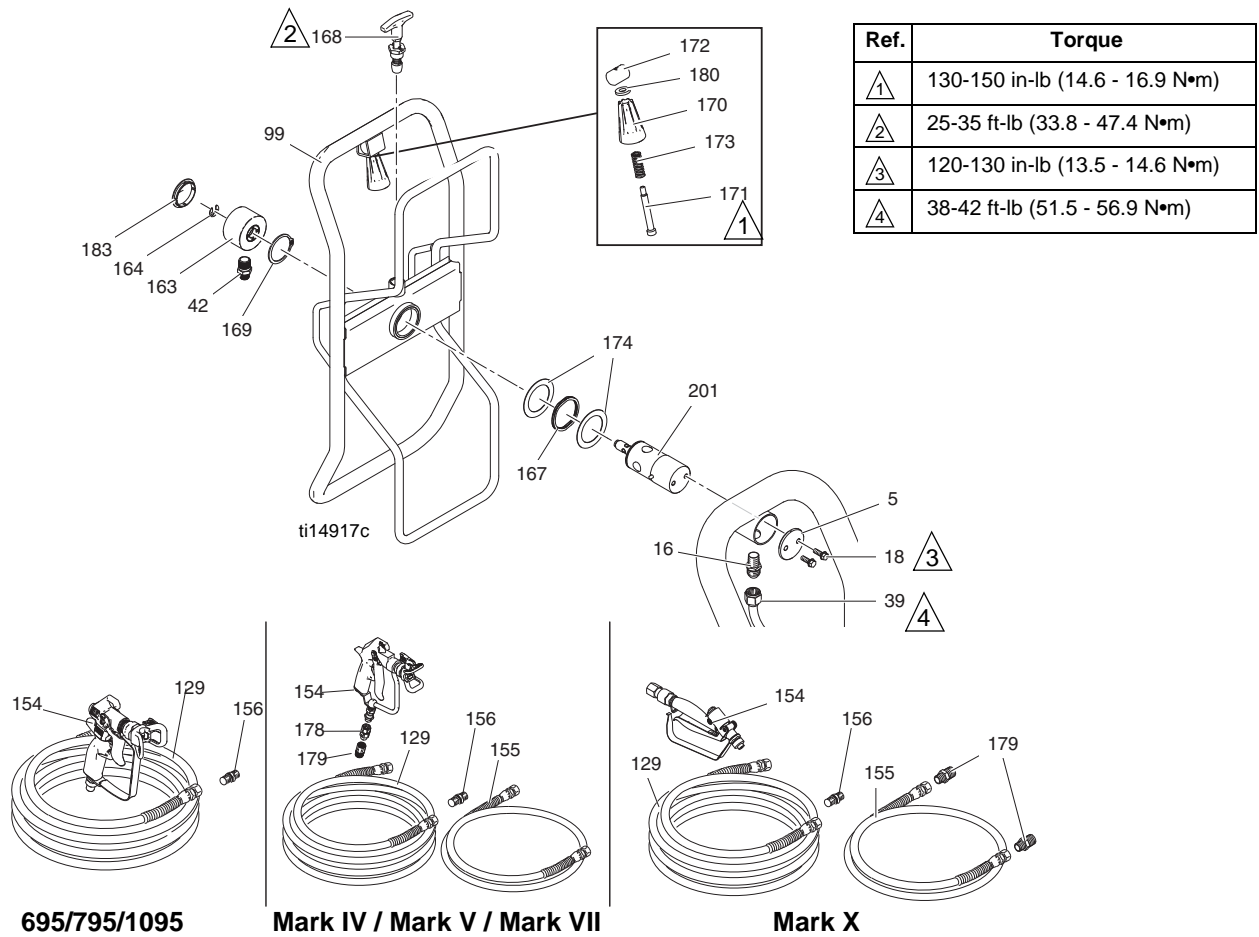
# Filter



## Parts List

Ref.	Part	Description	Qty.	Ref.	Part	Description	Qty.
9	117285	PACKING, o-ring	1	74	15C766	TUBE, diffusion	1
13	16U013	SCREW, cap, socket head	3	80	24B156	VALVE, prime, HD	1
20	111457	PACKING, o-ring	1		287879	VALVE, prime, Mark X	1
21	15C972	PIN, grooved	1	81		BASE, valve	1
39		TUBE, formed, ultra platinum	1		24A382	Standard series	
	24V095	695/795 Models			24D286	ProContractor/IronMan	
	24J081	1095/Mark V Models		86	243222	TRANSDUCER, pressure control;	1
	16M441	Mark X				<i>includes 20</i>	
40	121889	GROMMET, transducer	1	92		FILTER, fluid	1
42		FITTING	1		244071	30 mesh	
42a	122533	1095/Mark V/Mark VII (ProContractor series)			244067	60 mesh, original equipment	
42b	125926	695/795/Mark IV/Mark X (ProContractor series)			244068	100 mesh	
42c	164672	695/795/1095 (Standard series)		114	104813	PLUG, pipe, 3/8	1
42d	196178	Mark IV/Mark V/Mark VII (Standard series)		118	125926	FITTING, elbow	1
		1095/Mark V (IronMan series)		172	193709	SEAT, valve	1
		Mark X (Standard series)		173	193710	SEAL, seat, valve	1
50	183285	KIT, handle; <i>includes 21, 81</i>	1	174	245103	KIT, repair, valve, Mark X;	1
						<i>includes 80, 172, 173, 202, 203, 204</i>	
	24E233	ProContractor/IronMan Series		189	17A197	GUARD, base, filter (ProContractor/IronMan Series)	1
	24E234	Standard Series		202	116424	NUT, Mark X	1
66	15C765	CAP, filter	1	203	15G563	HANDLE, valve, Mark X	1
67	16T543	BASE, filter	1	204	114708	SPRING, compression, Mark X	1

# Hose Reel and Gun



## Parts List

Ref.	Part	Description	Qty.	Ref.	Part	Description	Qty.
5	16C975	PLATE, Pivot Mount	1	191239	Mark VII/Mark X		
16	121311	FITTING, Connector, NPT x JIC	1	156	ADAPTER		1
18	260212	SCREW, Hex Washer HD	2	162453	695/795/1095		
39	24V095	TUBE, Formed, Ultra, Platinum	1	196178	Mark IV/Mark V		
	24J081	695/795 Models		158491	Mark VII/Mark X		
	16M441	1095/Mark V Models		163	24B248	CAP, swivel, complete	1
42	ADAPTER	Mark X	1	164	122347	RING, retaining, external	1
	164672	695/795/1095		167	122534	SPRING, wave	1
	196178	Mark IV/Mark V		168	24E400	PIN, pop, lock out	1
	159239	Mark VII/Mark X		169	122524	RING, retaining, external	1
99	24B691	REEL, hose, ultra	1	170	278085	HANDLE, swivel	1
129	HOSE, coupled	Mark IV/Mark V		171	122518	PIN	1
	240794	695/795/1095	2	172	15X618	NUT, pin	1
	245225	Mark IV/Mark V	2	173	122542	SPRING	1
	278499	Mark VII/Mark X	2	174	122607	WASHER, flat	2
154	GUN, spray	Mark IV/Mark V		178	189018	SWIVEL	1
	288420	695/795/1095	1	179	BUSHING		
	241705	Mark V/Mark VII Models	1	159841	Mark IV/Mark V/Mark VII		1
	246468	Mark IV Models	1	159239	Mark X		2
	245820	Mark X	1	180	122669	WASHER	1
155	HOSE, whip	Mark IV, Mark V	1	183	122787	CAP	1
	241735	Mark IV, Mark V	1	201	24E016	TUBE, Hose Reel, Pivot	1